

Inlosure #2

Improvisations of Equipment

Field Scrub Sink

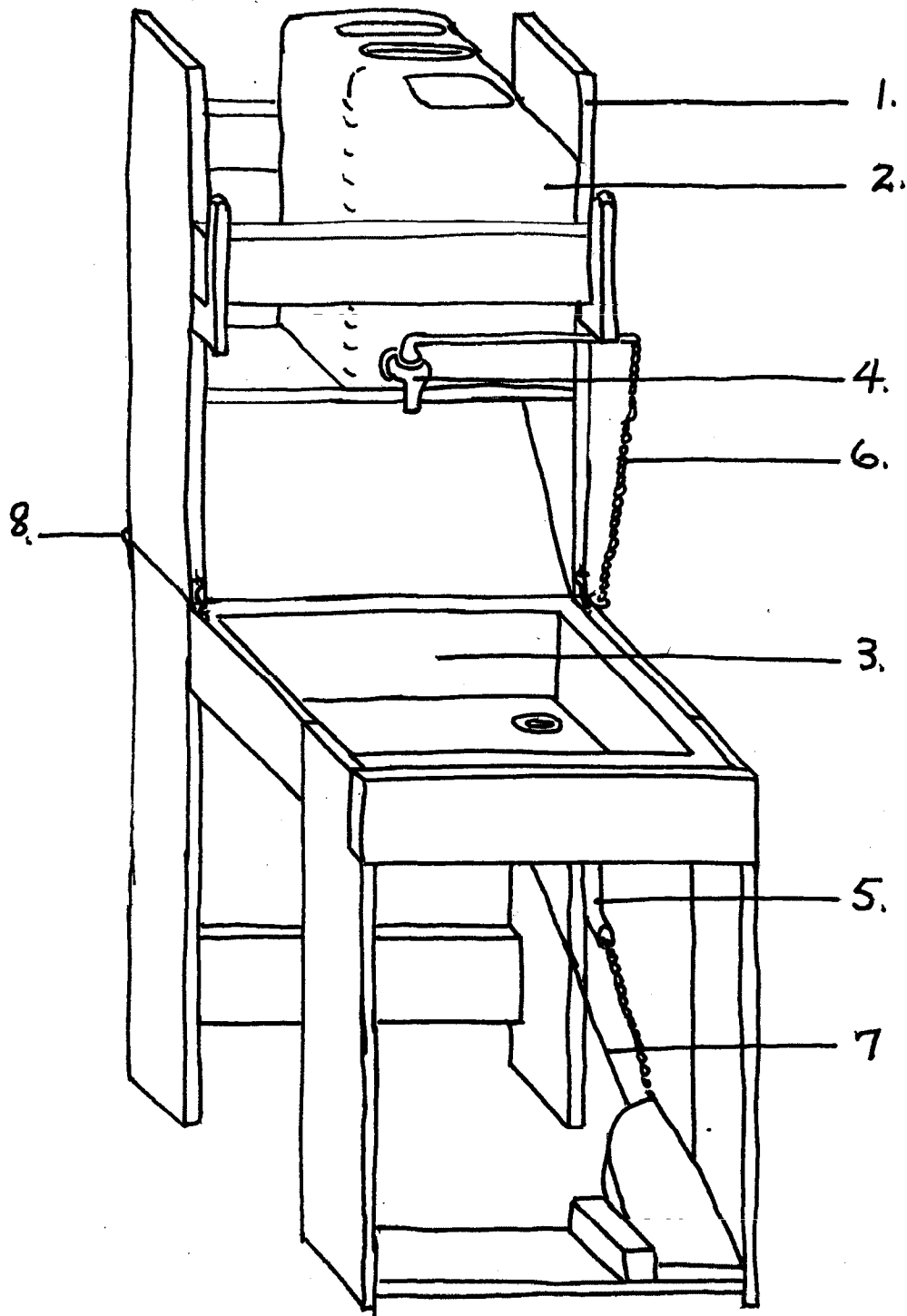
a. Materials needed:

- (1) Scrap lumber - 1" X 4" or 6".
- (2) 1 can, water, 5 gallon.
- (3) Ammunition box, German, lined with non-rust metal.
- (4) 1 spring type faucet. (water trailer)
- (5) 1" iron pipe.
- (6) Chain or wire.
- (7) Plastic tubing.
- (8) 2 hinges.

- b. Directions for construction: Size of "gadget" can be adjusted to size of sink. For drain, 8 inch piece of pipe is welded into ammunition box and rubber hose attached for drainage to soakage pit. Tension on foot peddle is provided by rubber tubing. Faucet is welded to water can and extension welded to handle. Hinges at top of sink on legs for folding top portion down to match front.

*Inlosure # ✓*

# FIELD SCRUB SINK



SCALE 1" = 1'

DRAWN BY T/3 WM J. NELSON

Drape and Lamp Support

a. Materials needed:

- (1) 4 pieces of lumber 2" X 4" X 6'.
- (2) 16 "eye" screws 3".
- (3) 8 U bolts with winged nuts.
- (4) Four lengths of wire #16.
- (5) Turnbuckles - 4.

b. Directions for construction: Cut lumber to desired length, bevel ends and pad to protect tent. Attach cross beams to tent poles by U bolts. Attach wire to eye screws and tighten with turnbuckles. Drape sheets or muslin over wire.

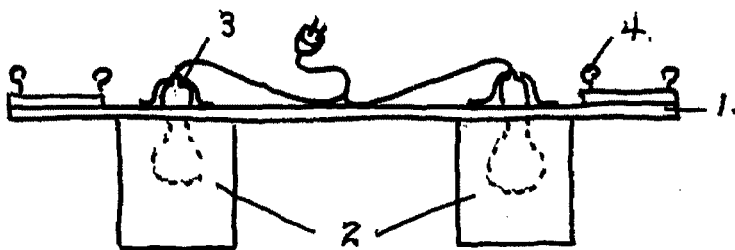
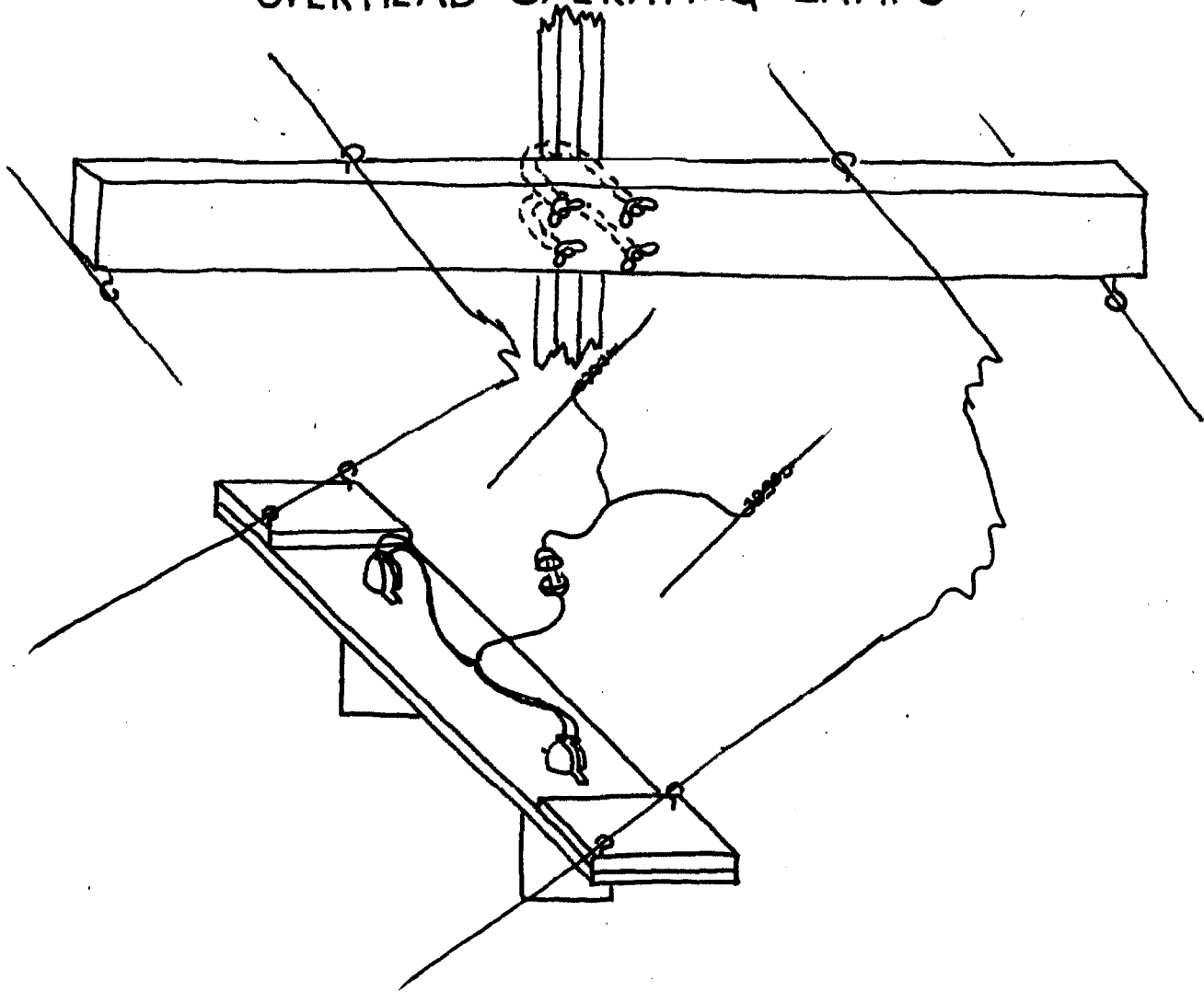
Overhead Operating Lamps

a. Materials needed:

- (1) Scrap lumber 1" X 1" X 3".
- (2) 2 cans, #10.
- (3) 2 electrical sockets.
- (4) 4 eye screws  $1\frac{1}{2}$ ".
- (5) 2 100 Watt bulbs.

b. Directions for construction: Bore holes through middle of board 10 inches from each end, wide enough to admit neck of 100 watt bulb and not the socket. Socket is affixed to topside of board with banding. Socket must be on topside or heat will melt insulation of socket causing a short. Affix #10 can to underside, polish, do not paint inside of can, for best light. Hang lamp to wires by means of eye screws, can be hung at any desired angle.

# DRAPE SUPPORT OVERHEAD OPERATING LAMPS



SCALE 1" = 1'

DRAWN BY T/3 WM. J. NELSON

Syringe Holder

a. Materials needed:

- (1) Wood block 6" X 2" X 3/8".
- (2) Metal banding.
- (3) 2 screws 1/2".

b. Directions for construction: Affix clamp made of metal banding which can be salvaged from packing boxes to base by means of screws.

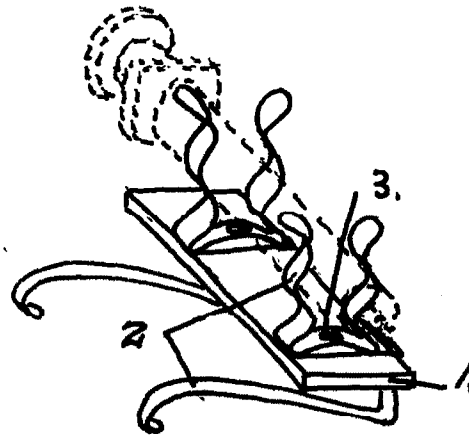
Arm Boards (adjustable to litter)

a. Materials needed:

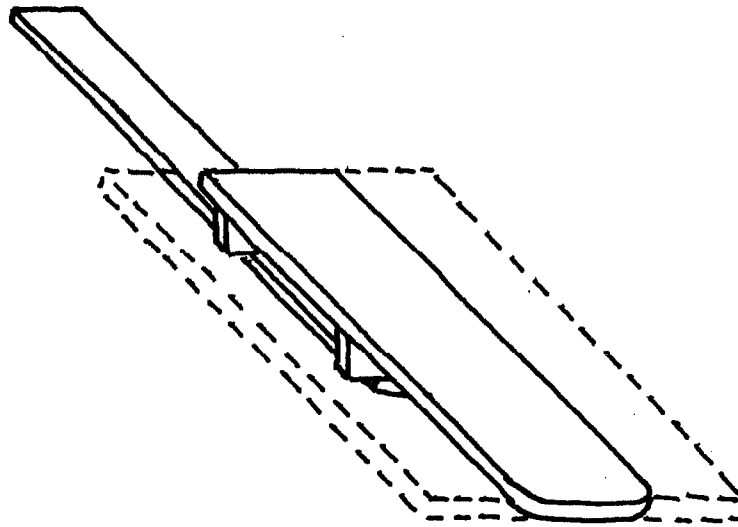
- (1) 1 board 6" X 3/4" X 32".
- (2) 1 board 6" X 3/4" X 30"
- (3) 2 blocks 6" X 3/4" X 3"

b. Directions for construction: overlap two long boards by 18 inches, fasten together by nails through the two small blocks. Allow two inch overlap on top board to rest on litter, bottom board rests against litter or patient.

# SYRINGE HOLDER AND ARM BOARDS



NO SCALE



SCALE 1" = 1'

DRAWN BY T/3 WM. J. NELSON

Portable knockdown saw horses for litter operating table.

a. Materials needed:

- (1) 3 pieces lumber 2" X 4" X 3'.
- (2) 2 pieces lumber 2" X 4" X 3½'.
- (3) 1 piece lumber 1' X 4" X 3'.
- (4) 1 piece lumber 1' X 4" X 14".
- (5) 1 steel plate 1" X 3" with set screw attached.

- b. Directions for construction: Nail 2" X 4" together and cut slot in end of combined pieces as shown in drawing. Bore hole near each end of middle board to receive steel rod of Mayo table or plasma stand. Steel plate with set screw is screwed to end to hold Mayo table at desired height. Bevel uprights as indicated and fasten together by inch boards. Caution! These saw horses should be precision made and fitted together individually.

Mayo Table (Drawing #1)

a. Materials needed:

- (1) Bake pan.
- (2) ½ inch maleable steel rod of necessary length.

- b. Directions for construction: Bake pan with 1 inch sides is the best and are practically useless to the kitchen. In motor pool, bend steel rod to fit pan as shown in drawing. Weld upright and reinforce as indicated.

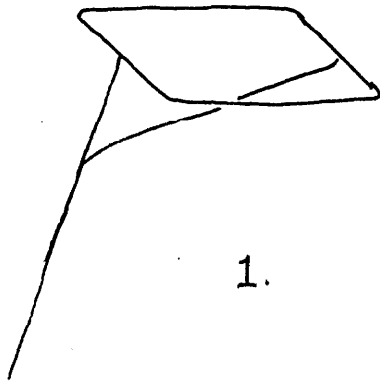
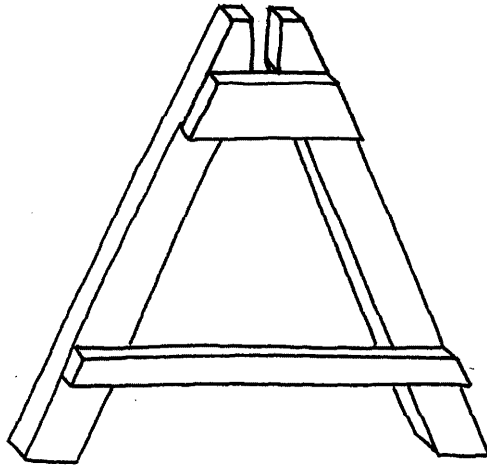
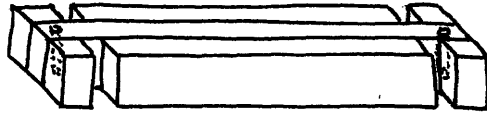
Plasma Stand (Drawing #2)

Made from ½" maleable steel rod as indicated.

Linen Drape (over operating table)(drawing #3)

Made from ½" maleable steel rod as indicated.

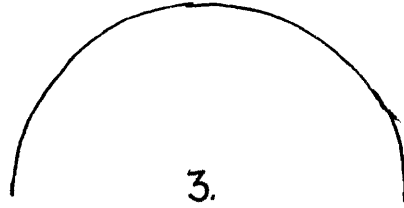
# PORTABLE HORSE AND FITTINGS



1.



2.



3.

SCALE 1" = 1'

DRAWN BY  $\frac{1}{3}$  W<sup>m</sup> J. NELSON